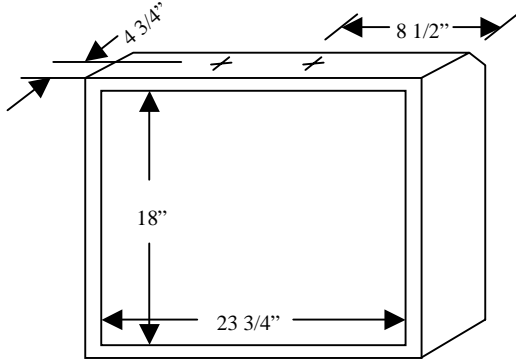
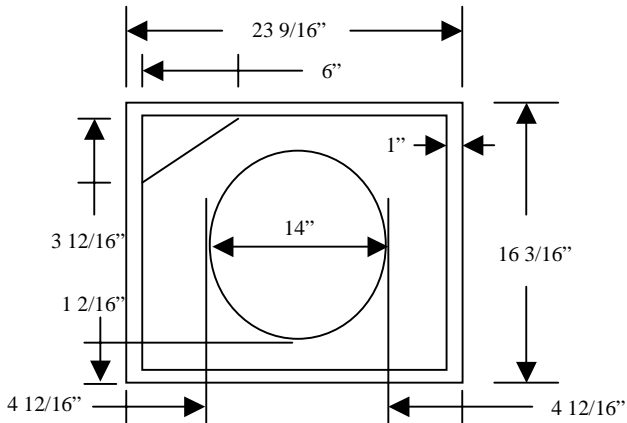


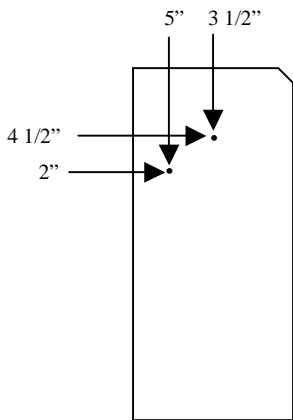
Vibroclone Cabinet Plans



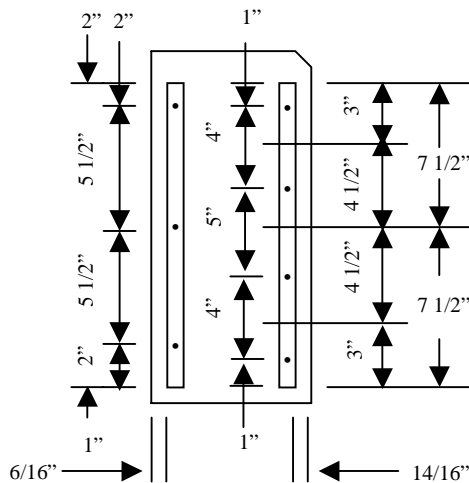
- 3/4" Finger Joint Pine Box



- 1/2" Ply, Birch or Particle Soundboard
- 1/4" Ply border strips
- 1/4" Ply logo triangle
- 1" speaker off-set for optional Twin Reverb OT



Tilt back legs



- 1" x 3/4" Pine mount rails

← 14/16" to 1" depending on thickness of grill cloth