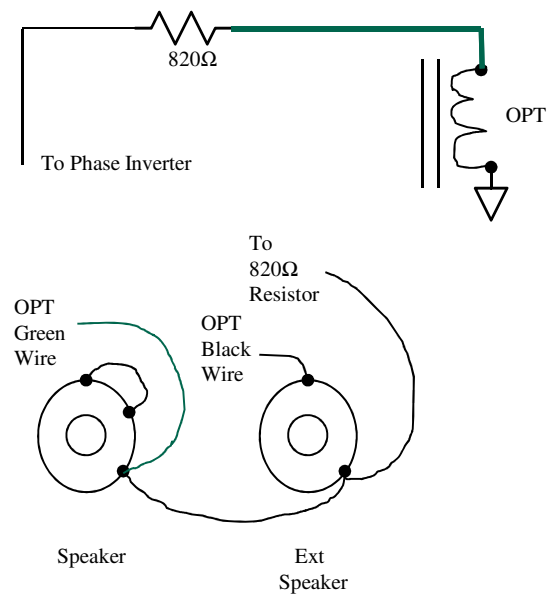
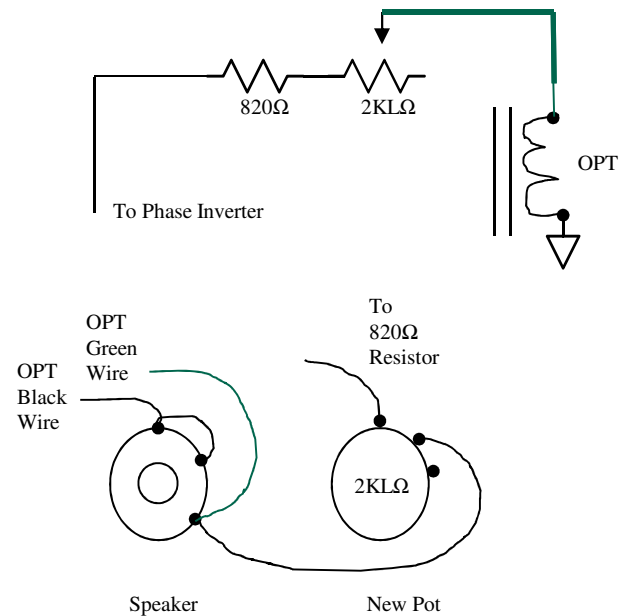


Feedback (Soul) Control Mod

Existing Circuit



New Circuit



This mod places a $2K\Omega$ pot in series with the existing 820Ω feedback resistor which goes from the output transformer to the long tail phase inverter input. Replace the extension speaker jack with the new $2K\Omega$ pot.